

Whalen Party Pit™

Assembly Instructions / Owner's Manual

for

Model 41300 28" Grill & Smoker

FOR CUSTOMER SERVICE

OR

ASSEMBLY ASSISTANCE

CALL 1-800-225-1438

Please Do Not Return To Retail Store!

!WARNING!

PartyPit™ IS FOR OUTDOOR USE ONLY!

DO NOT USE PartyPit™ INDOORS!

INDOOR USE CAN BE FATAL!

WHALEN LIMITED WARRANTY

Whalen Mfg. Co., (Whalen) hereby warrants to the ORIGINAL RETAIL PURCHASER of this product that if it is assembled and operated in accordance with Whalen's printed instructions accompanying it, then for a period of five (5) years from the date of purchase all parts of the Whalen PartyPit™, excluding grates, shall be free from defects in material and workmanship.

Whalen shall not be liable under this or any implied warranty for incidental or consequential damages. This warranty gives you specific legal rights, and you may have other rights which vary from state to state. This warranty is applicable in the USA and Canada.

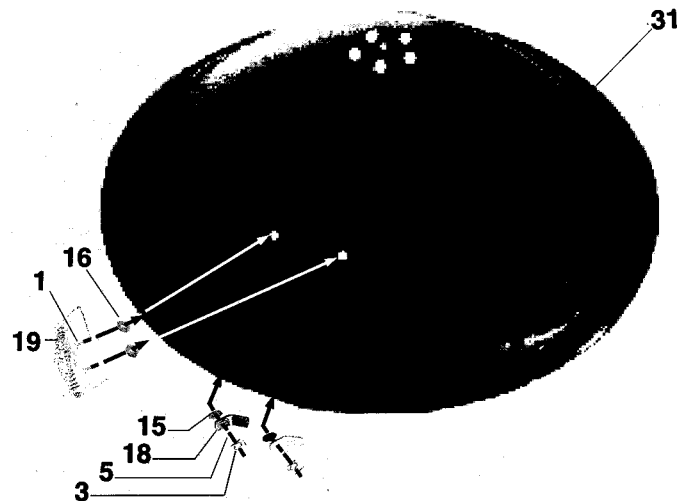
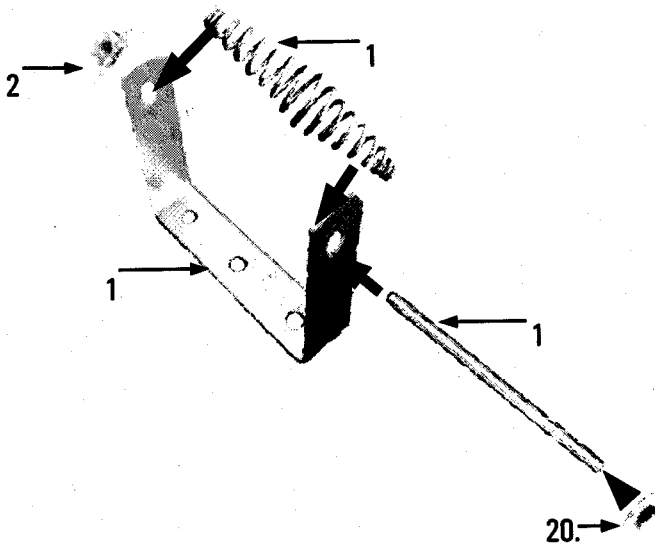
Whalen requires reasonable proof of your date of purchase. THEREFORE, YOU SHOULD RETAIN YOUR SALES SLIP OR INVOICE. This Limited Warranty shall be limited to the repair or replacement of parts which prove defective under normal use and service and which on examination shall indicate, to Whalen's satisfaction, they are defective. Any part that is claimed to be defective and covered by this Limited Warranty must be returned with transportation costs prepaid to Whalen Mfg. Co., Customer Service Center, 1270 E Murray St, Macomb, IL 61455. If Whalen's inspection confirms the defect and the claim, Whalen will elect to repair or replace such part without charge and return it to you freight or postage prepaid.

Note: All Whalen Mfg. Co products are subject to change, upgrade and improvement without notification.

PARTS LIST FOR 28" Whalen PartyPit™

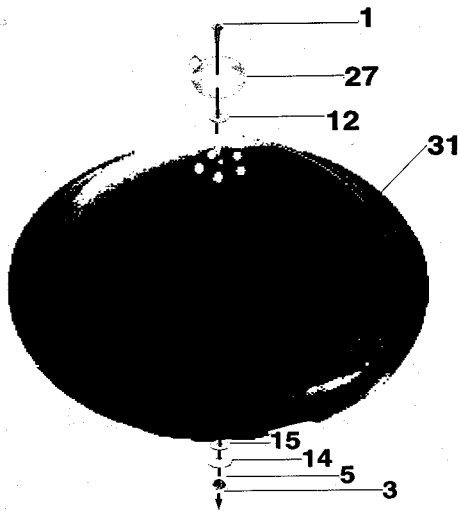
Ref No.	Part No.	Part Description	Quantity	Ref No.	Part No.	Part Description	Quantity
1	2503-102	5/16-18 x 1 Truss Head Bolt	14	19	40317	Handle, PartyPit™	3
2	40498	5/16-18 x 1-1/2 Truss Head Bolt	2	20	40314	1-1/2 x 4-1/2 Stove Handle	3
3	2520-201	5/16-18 Hex Nut	16	21	40348	Handle Rod, PartyPit™	3
4	40499	5/16-18 x 2-1/2 Truss Head Bolt	2	22	40349	Push Nut PW312010	6
5	2525-201	5/16 Med Lockwashers	16	23	40501	Spring Clip	1
6	40505	5/16-18 Nylon Insert Hex Nut	2	24	40502	6-32 x 1/4 Machine Screw	1
7	40167	7" OD Plastic Wheel	2	25	40503	6-32 Hex Nut	1
8	40512	Stationary Leg R, 28" PartyPit™	1	26	40504	1/4-6 Self Tap Screw	1
9	40532	Stationary Leg L, 28" PartyPit™	1	27	40511	Vent Covers	4
10	40513	Wheel Leg R, 28" PartyPit™	1	28	40516	Ash Catcher	1
11	40533	Wheel Leg L, 28" PartyPit™	1	29	40486	Large Upper Grill	1
12	40514	Horizontal Brace, 28" PartyPit™	1	30	40487	Small Lower Grill	1
13	40515	Wheel Axle, 28"	1	31	40523	Porcelain Black, 28" PartyPit™ Top	1
14	40308	5/16 x 1-1/2 Fender Washer	12	32	40524	Porcelain Black, 28" PartyPit™ Bot	1
15	40369	Fiber Washer	28	33	40517	PartyPit™ Manual	1
16	40500	Push Nuts, HP50094	2	34	40518	Warning Decal	1
17	40208	Whalen Decal	1	35	40531	Leg Cap	2
18	40311	Ring Clip	2				

TOOLS REQUIRED FOR ASSEMBLY- STRAIGHT BIT SCREWDRIVER, ADJUSTABLE END WRENCH & HAMMER

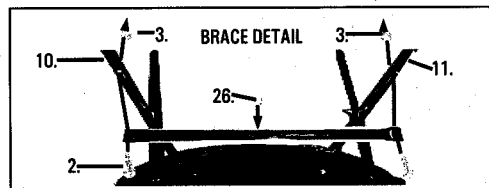
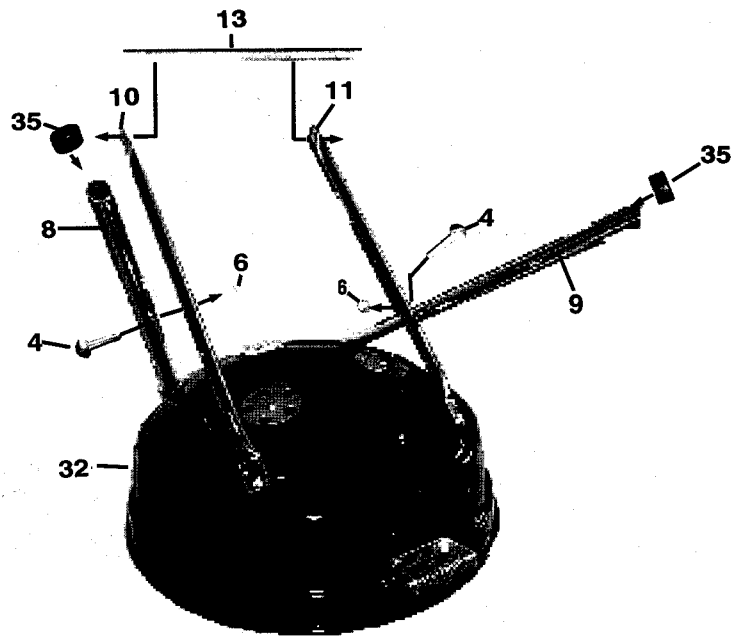


Step 1- Assemble PartyPit™ Handles- Assemble stove handle(20) to PartyPit™ handle(19) using push nut(22) on either end of handle rod(21). Placing push nut (22) open end up on a solid surface. Drive handle rod(21) down with your hammer into push nut(22). Do the same with the second push nut once handle rod assembly is together. Repeat for all handles.

Step 2- Assemble Handles to PartyPit™ Assemble first handle(19) to holes in PartyPit™ top(31) by inserting a 5/16 bolt(1) through end holes in handle, followed by one 5/16 fiber washer(15) on each side of holes in top(31), one ring clip(18) per bolt(1), 5/16 lock washer(5) and 5/16 hex nut(3). Finish tighten. Do not over tighten! Over-tightening may fracture porcelain. Repeat for second handle, only using one fender washer(14) per bolt in place of ring clip. Repeat this assembly for the handle(19) on front of PartyPit™ bowl(32). **IMPORTANT!** Only fiber washers(15) should contact porcelain!

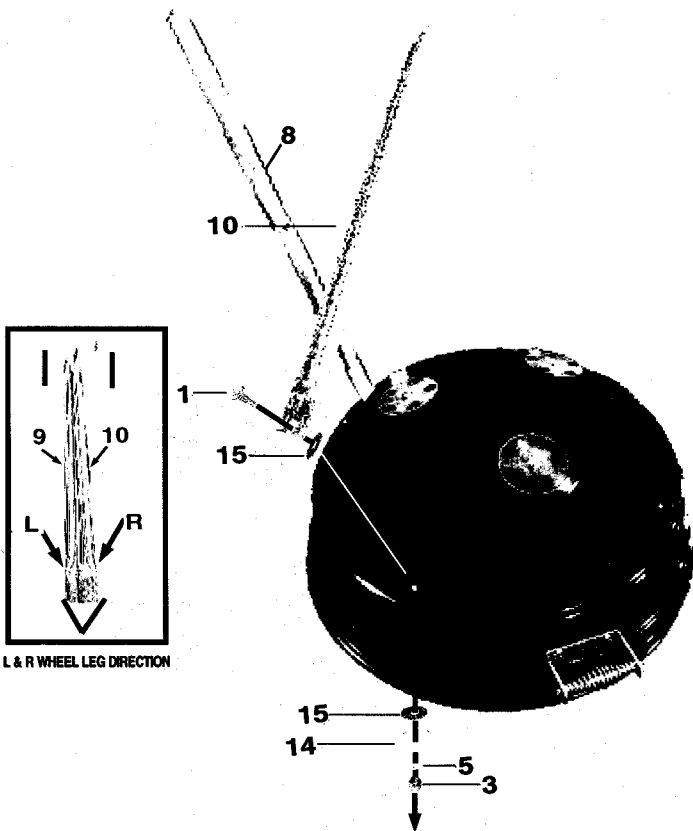


Step 3- Assemble Vent Covers To PartyPit™. Insert a 5/16 bolt (1) through center hole of vent cover(27). Follow with a fiber washer(15) and insert through center hole of flat surface on the top(31). Add fiber washer(15), 1-1/2" fender washer(14), lock washer(5) and secure with 5/16 hex nut(3). Repeat for all vent openings on bowl(32). Be certain that tab on vent covers(27) is angled away from porcelain surface.

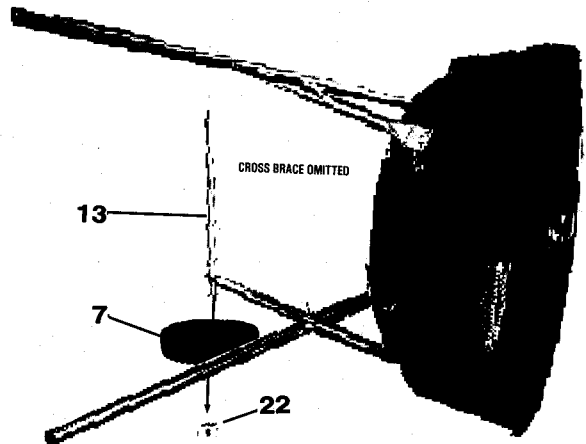


Step 5- Attach Legs Together- Hold R wheel leg(10) vertical above bowl(32). Bring R stationary leg(8) up into position next to R wheel leg(10). Align mounting hole in middle of both legs and insert 5/16 x 2-1/2 bolt(4) through stationary leg(8) from the outside, through the wheel leg(10) and secure with nylon insert hex nut(6). Finger tighten only at this time. Repeat with second leg set. Position wheel axle(13) between flats of wheel legs (10&11). Slide one wheel leg over each end of wheel axle. Place leg cap(35) onto open end of each stationary leg. Leg sets will angle out for stability.

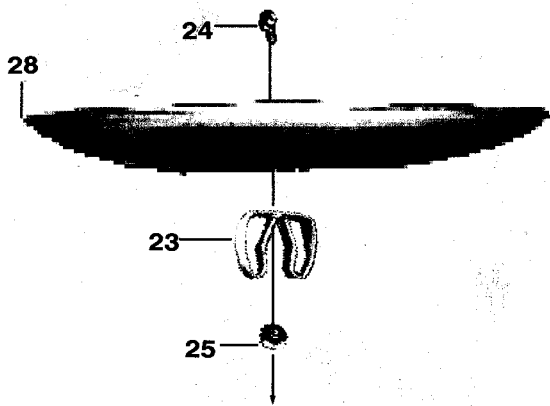
Step 6-Attach Horizontal Brace- Insert a 5/16 bolt(1) through the flats at each end of horizontal brace(12), through mounting holes in stationary legs(8 & 9) and secure with 5/16 hex nuts(3). Screw 1/4-6 self tap screw(26) into hole in bottom of horizontal brace(12).



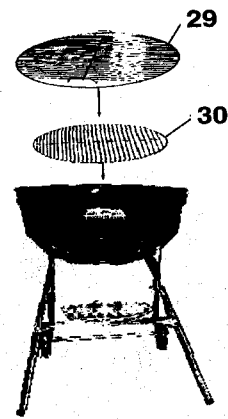
Step 4- Assemble Legs- Insert 5/16 bolt(1) through smaller hole in R wheel leg(10). Follow this with a fiber washer(15) and insert through leg mounting hole in bowl(32). Wheel legs mount directly to the holes on each side of handle! When mounted correctly, the flat with the large hole will be at a near 90 degree angle to the ground. Put on another fiber washer(15), then a fender washer(14), a lock washer(5) and secure with a hex nut(3). Repeat for L wheel leg (11). Repeat this step for R&L stationary legs(8&9). Finger tighten only at this time!



Step 7- Mount wheels- Place large push nut(16) on a hard surface open side up. Place a wheel(7) on each end of axle(13) with indented side out. Lay the entire grill assembly over onto one side and place end of wheel axle into push nut (16). Tap opposite end of axle sharply with hammer to seat axle firmly in place. Repeat for opposite wheel assembly. Set assembled grill unit upright, square it up and tighten all bolts securely. **CAUTION!** Do not overtighten! Over tightening may fracture porcelain finish!!



Step 8-Assemble Ash Catcher- Insert 6-32 x 1/4 machine screw(24) through hole in bottom of ash catcher(28), through hole in spring clip(23) and secure with 6-32 hex nut(25). Finish tighten. Clip ash catcher assembly to horizontal brace(12). NOTE- Hole in ash catcher is slightly off-center to allow the ash catcher to project further to the rear of the grill. Be certain that clip is aligned with 1/4-6 self tap screw(26) in bottom of horizontal brace(12).



Step 9- Insert Grills- Insert small lower grill(30) into bowl(32) with flat surface up. Allow grill(30) to rest on lower ridge of bowl(32). Follow this by inserting large upper grill(29) into bowl (32) with handles of grill pointing up. Allow large grill(29) to rest on upper ridge of bowl(32). Place completed lid assembly(31) onto bowl(32). When cooking, the lid can be suspended on the side of the bowl using the ring clips under the lid.

Now You're Cookin'...with the WHALEN PartyPit™ !

!WARNING!

PartyPit™ is for outdoor use only. Keep PartyPit™ away from homes, garages and flammable materials/fluids or vehicles while in use. PartyPit™ is not to be used by children. Do not use in windy conditions. Use caution when using on combustible surfaces and avoid wearing flammable clothing while PartyPit™ is in use. Always extinguish with lid only and remember ashes can remain hot for long periods. Use caution and mitts when handling or moving. When in use, surfaces will be hot. All fires must be completely extinguished before retiring. Do not store hot or with ashes inside. See below for further information.

IMPORTANT RULES FOR SAFE OPERATION

- 1 Keep away from flammable material and fluids such as gasoline, alcohol, diesel fuel, kerosene, and charcoal lighter fluid or vehicles while in use.
- 2 Do not use flammable fluids such as gasoline, alcohol, diesel fuel, kerosene. Use only charcoal lighter fluid to light or re-light fires.
- 3 Exercise the same precautions you would with an open fire.
- 4 Do not allow children to use the PartyPit™. Keep children and pets away from the PartyPit™.
- 5 Do not wear flammable or loose fitting clothing such as nylon when using the PartyPit™.
- 6 Always extinguish the fire with the PartyPit™ lid. Do not use water to douse the the fire as this will fracture the porcelain finish. The PartyPit™ and ashes inside will remain hot for some time. Always leave the lid in place until the PartyPit™ is cold.
- 7 Do not store the PartyPit™ with ashes or combustible materials inside. Do not store the PartyPit™ until the fire is completely out and all surfaces are cold.
- 8 Use fireplace or kitchen mitts when handling the PartyPit™ and tending the fire. Use long handled, sturdy cooking equipment when adding or moving logs.
- 9 Do not move the PartyPit™ while in use. If it becomes necessary to move the PartyPit™, replace the lid before attempting to move the PartyPit™.
- 10 Always use in accordance with all applicable local and national fire codes.
- 11 Keep all bolts, nuts and screws tight to be sure PartyPit™ is in safe working condition. Inspect on a routine basis to ensure that the PartyPit™ is operating reliably.

THANK YOU FOR PURCHASING THIS WHALEN MFG. CO. PRODUCT!
Questions? Comments? Concerns? Please Call 1-800-225-1438